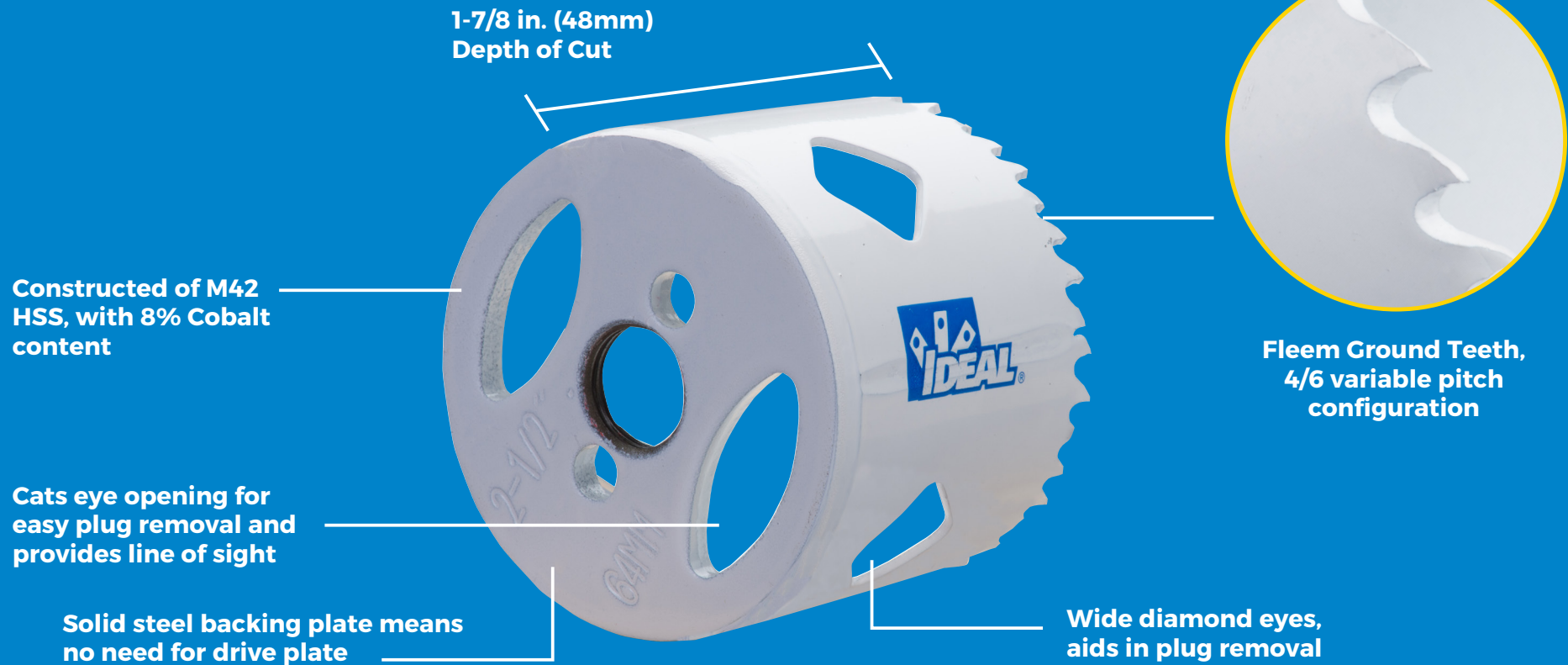


# IDEAL BI-METAL HOLE SAW SELECTION GUIDE



THE ELECTRICIAN'S  
**CHAMPION**™



# IDEAL BI-METAL HOLE SAW SELECTION GUIDE

Bi-Metal Hole Saw Diameter		Pipe Tap Size		Pipe Entrance Size		Part No.
Inches	MM	Inches	MM	Inches	MM	
<b>Compatible with 1/4 in. Round Arbor 36-570, 3/8 in. Hex Arbor 36-571, 7/16 in. Hex Arbor 36-572.</b>						
9/16	14					<b>36-511</b>
5/8	16					<b>36-512</b>
11/16	17					<b>36-513</b>
3/4	19	1/2	13	3/8	10	<b>36-514</b>
13/16	21					<b>36-515</b>
7/8	22	3/4	19	1/2	13	<b>36-516</b>
15/16	24					<b>36-517</b>
1	25					<b>36-518</b>
1-1/16	27					<b>36-519</b>
1-1/8	29	1	25	3/4	19	<b>36-520</b>
1-3/16	30					<b>36-521</b>
Bi-Metal Hole Saw Diameter		Pipe Tap Size		Pipe Entrance Size		Part No.
Inches	MM	Inches	MM	Inches	MM	
<b>Compatible with 7/16 in. Hex Arbor 36-573, 3/8 in. Quick Change Arbor 36-574.</b>						
1-1/4 in	32					<b>36-522</b>
1-5/16 in	33					<b>36-523</b>
1-3/8 in	35					<b>36-524</b>
1-7/16 in	37					<b>36-525</b>
1-1/2 in	38	1-1/4	32			<b>36-526</b>
1-9/16 in	40					<b>36-527</b>
1-5/8 in	41					<b>36-528</b>
1-11/16 in	43					<b>36-529</b>
1-3/4 in	44	1-1/2	38	1-1/4	32	<b>36-530</b>
1-13/16 in	46					<b>36-531</b>

Bi-Metal Hole Saw Diameter		Pipe Tap Size		Pipe Entrance Size		Part No.
Inches	MM	Inches	MM	Inches	MM	
<b>Compatible with 7/16 in. Hex Arbor 36-573, 3/8 in. Quick Change Arbor 36-574.</b>						
1-7/8 in	48					<b>36-532</b>
2 in	51			1-1/2	38	<b>36-533</b>
2-1/16 in	52					<b>36-534</b>
2-1/8 in	54					<b>36-535</b>
2-1/4 in	57	2	51			<b>36-536</b>
2-5/16 in	59					<b>36-537</b>
2-3/8 in	60					<b>36-538</b>
2-1/2 in	64			2	51	<b>36-539</b>
2-9/16 in	65					<b>36-540</b>
2-5/8 in	67	2-1/2	64			<b>36-541</b>
2-3/4 in	70					<b>36-542</b>
2-7/8 in	73					<b>36-543</b>
3 in	76			2-1/2	64	<b>36-544</b>
3-1/8 in	79					<b>36-545</b>
3-1/4 in	83	3	76			<b>36-546</b>
3-3/8 in	86					<b>36-547</b>
3-1/2 in	89					<b>36-548</b>
3-5/8 in	92			3	76	<b>36-549</b>
3-3/4 in	95	3-1/2	89			<b>36-550</b>
3-7/8 in	98					<b>36-551</b>

Bi-Metal Hole Saw Diameter		Pipe Tap Size		Pipe Entrance Size		Part No.
Inches	MM	Inches	MM	Inches	MM	
<b>Compatible with 7/16 in. Hex Arbor 36-573, 3/8 in. Quick Change Arbor 36-574.</b>						
4 in	102					<b>36-552</b>
4-1/8 in	104			3-1/2	89	<b>36-553</b>
4-1/4 in	108	4	102			<b>36-554</b>
4-3/8 in	111					<b>36-555</b>
4-1/2 in	114					<b>36-556</b>
4-3/4 in	121	4-1/2	114	4	102	<b>36-557</b>
5 in	127					<b>36-558</b>
5-1/2 in	140			5	127	<b>36-559</b>
5-3/4 in	146					<b>36-560</b>
6 in	152					<b>36-561</b>

Bulk Packs	Qty.	Part No.
7/8"	10	<b>36-562</b>
1-1/8"	10	<b>36-563</b>
1-3/8"	10	<b>36-564</b>

## DON'T FORGET the PILOT BIT

Description	Part No.
4-1/2 in. x 1/4 in. - Fits 36-570, 36-572, 35-273	<b>36-575</b>
3-1/4 in. x 1/4 in. - Fits 36-571, 36-574	<b>36-576</b>

THE ELECTRICIAN'S  
**CHAMPION**™

